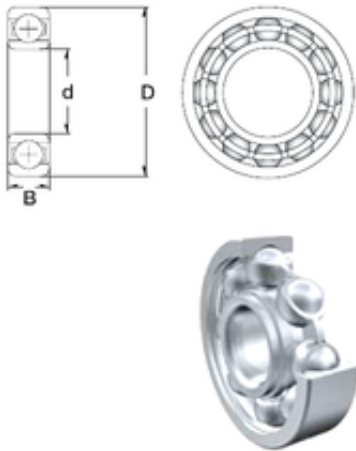


25,4 mm x 50,8 mm x 12,7 mm ZEN SR16-2RS
deep groove ball bearings



Bearing No. SR16-2RS

Size	25.4x50.8x12.7 mm
Bore Diameter	25,4 mm
Outer Diameter	50,8 mm
Width	12,7 mm
d	25,4 mm
D	50,8 mm
B	12,7 mm
C	12,7 mm
Basic dynamic load rating (C)	11,8 kN
Basic static load rating (C0)	7,2 kN

SR16-2RS Bearing 2D drawings and 3D CAD models